

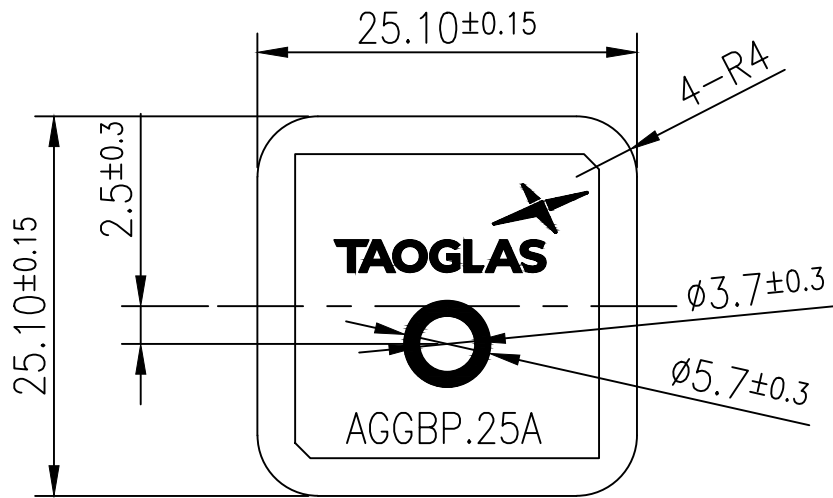


ISO NO.: IDW-20-8-0966

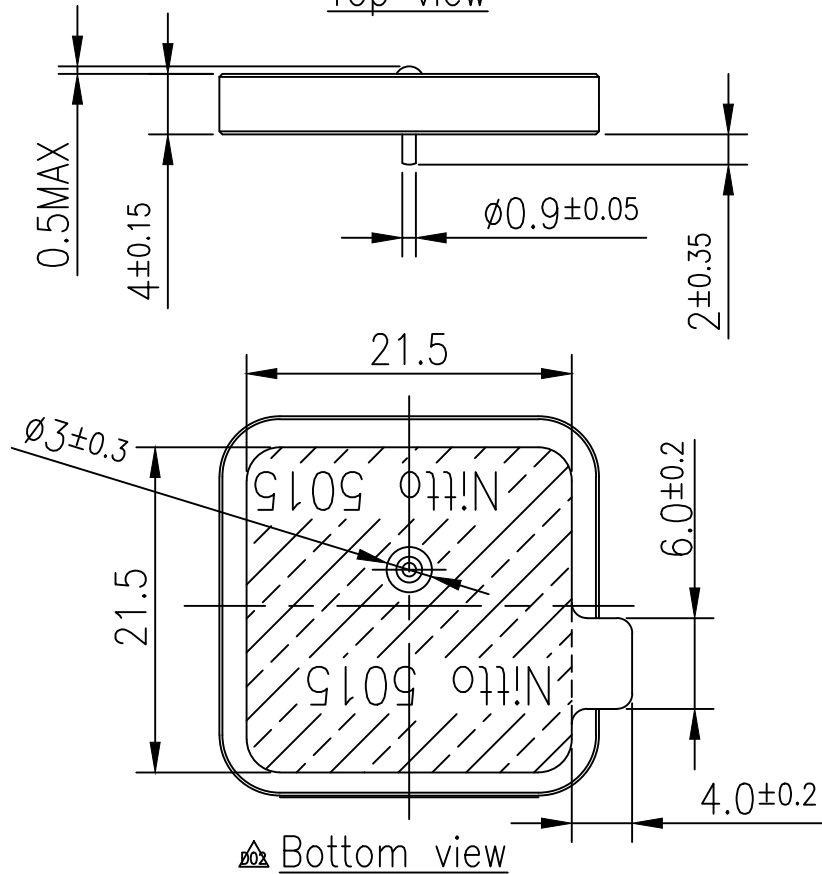
STATE: Release

NOTES: 1. Double sided adhesive area 


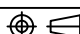
REV.	DESCRIPTION	ENG.	APPROVED	DATE
 01	Initial Design	Mickey	Buluto	2020/11/04
 02	Change the structure <ECR-18-8-048>	Aron Yan	Chozen	2022/07/27



Top view



 Bottom view

APPROVED BY: Buluto	 TW Design Centre This drawing and its inherent design concepts are property of Taoglas. Not to be copied or given to third parties without the written consent of Taoglas.
CHECK BY: Amos	
DRAWN BY: Mickey	
DATE: 2020/11/04	
UNLESS OTHERWISE SPECIFIED TOLERANCES ON: XX±0.5 X±0.3 .X±0.2 .XX±0.1 .XXX±0.05	TITLE : AGGBP.25A-Patch Antenna 25*25*4
THIRD ANGLE PROJECTION 	PART NO. : 013A306000102D
	UNIT: mm SCALE: 2:1 PAGES: 1/1 REV. D02

	Name	P/N	Material	Finish	QTY
1	AGGBP.25A Patch 25x25x4mm	013A306000102D	Ceramic	Clear	1
2	Double sided Adhesive	013A306000102D	NITTO 5015	White Linter	1